

BOAT DIMENSIONS		
	STANDARD	OPTION
LENGTH	7.4M	
BEAM	2.7M	2.5M
DRAFT	0.52M	
WEIGHT	1300KG	
POWER	450HP x1	400HP (200HP x2)
SPEED	<30KNOT	>30KNOT
FUEL	400L (200L x2)	600L (300L x2)
TYPE	RECREATIONAL	COMMERCIAL 2C/3C

DATE	REVISIONS
VESSEL	7.4m - 2.7m
TITLE	GENERAL ARRANGEMENT
CLIENT	
BUILDER	ORL Manufacturing Pty Ltd
CLASS	AS 4132-2 1993

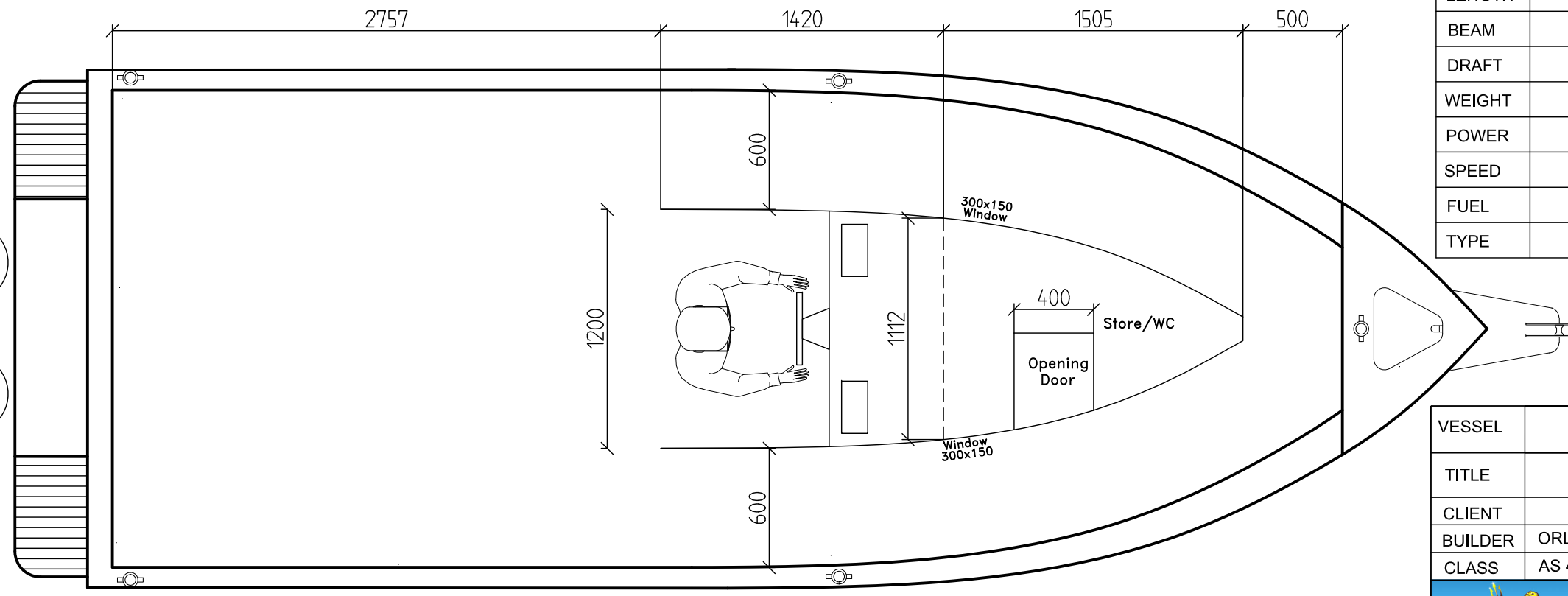
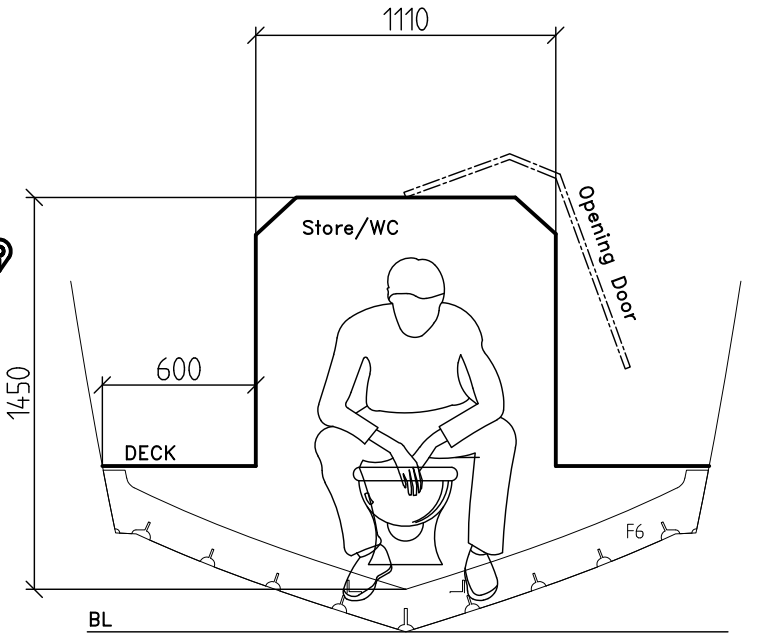
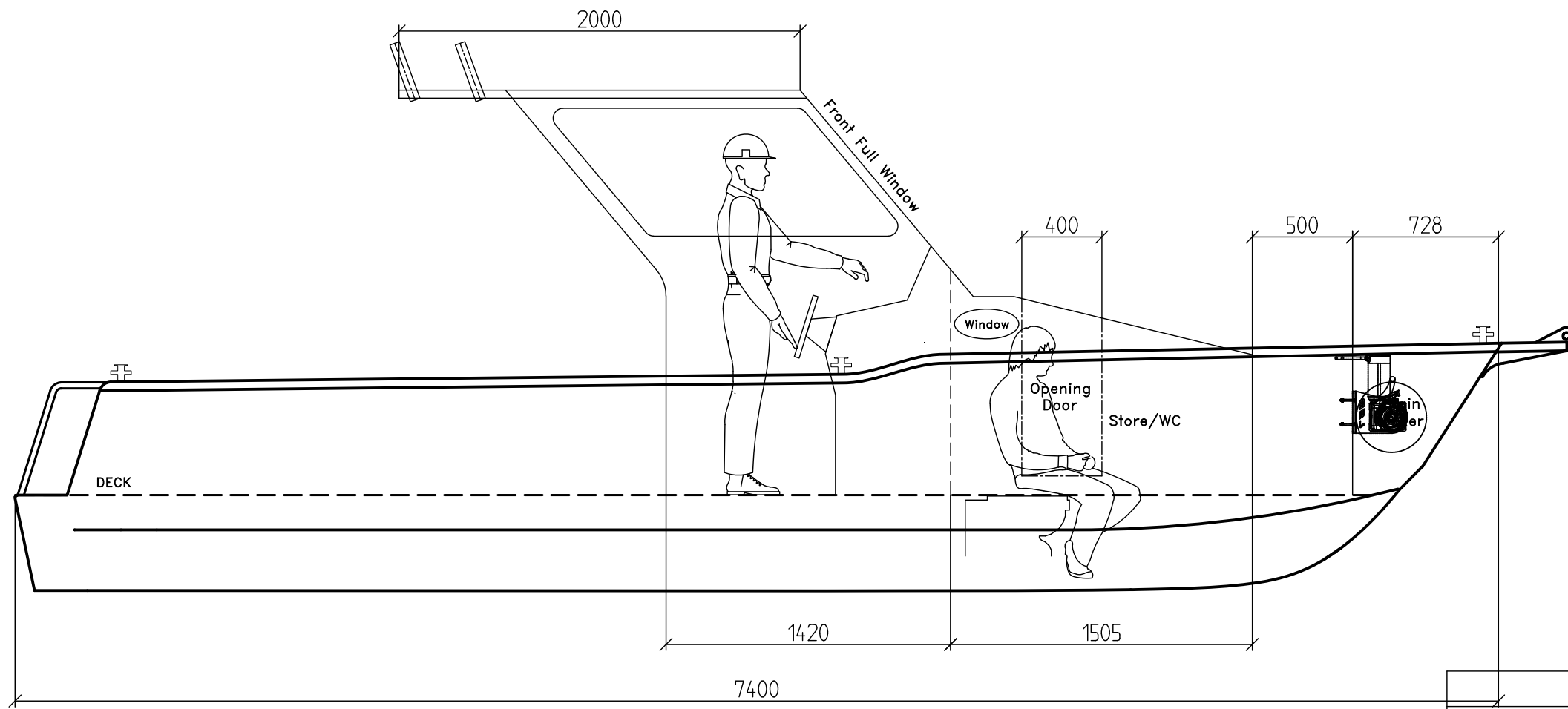


SEATAMER MARINE

42 Burleigh St Toronto NSW 2283
P1300998870 - sales@southerncrossboats.com.au

Legal Notice: This General Arrangement (GA) drawing, including but not limited to its overall concept, individual concepts & functionality of individual items, size and material specifications, general layout & configuration are the intellectual property and copyright of ORL Manufacturing Pty Ltd. They are provided on a confidential basis, for the sole purpose of confirmation of design and may not be sold, transferred, copied, traced, photographed or reproduced in whole or part without the express written consent of ORL Manufacturing Pty Ltd. The recipient notes on the GA agrees not to disclose to any other party any information contained herein, nor use this information for the construction of a vessel or vessel feature other than with ORL Manufacturing Pty Ltd.

Designed	Drawn	Controlled	SCALE	DRAWING FILE NO.	REV
Nigel/ORL	SC	Nigel/ORL	1:100	PTF1.074.026.1	0
20/01/22	20/01/22	20/01/22			



BOAT DIMENSIONS		
	STANDARD	OPTION
LENGTH	7.4M	
BEAM	2.7M	2.5M
DRAFT	0.52M	
WEIGHT	1300KG	
POWER	450HP x1	400HP (200HP x2)
SPEED	<30KNOT	>30KNOT
FUEL	400L (200L x2)	600L (300L x2)
TYPE	RECREATIONAL	COMMERCIAL 2C/3C

VESSEL	7.4m - 2.7m
TITLE	GENERAL ARRANGEMENT
CLIENT	
BUILDER	ORL Manufacturing Pty Ltd
CLASS	AS 4132-2 1993

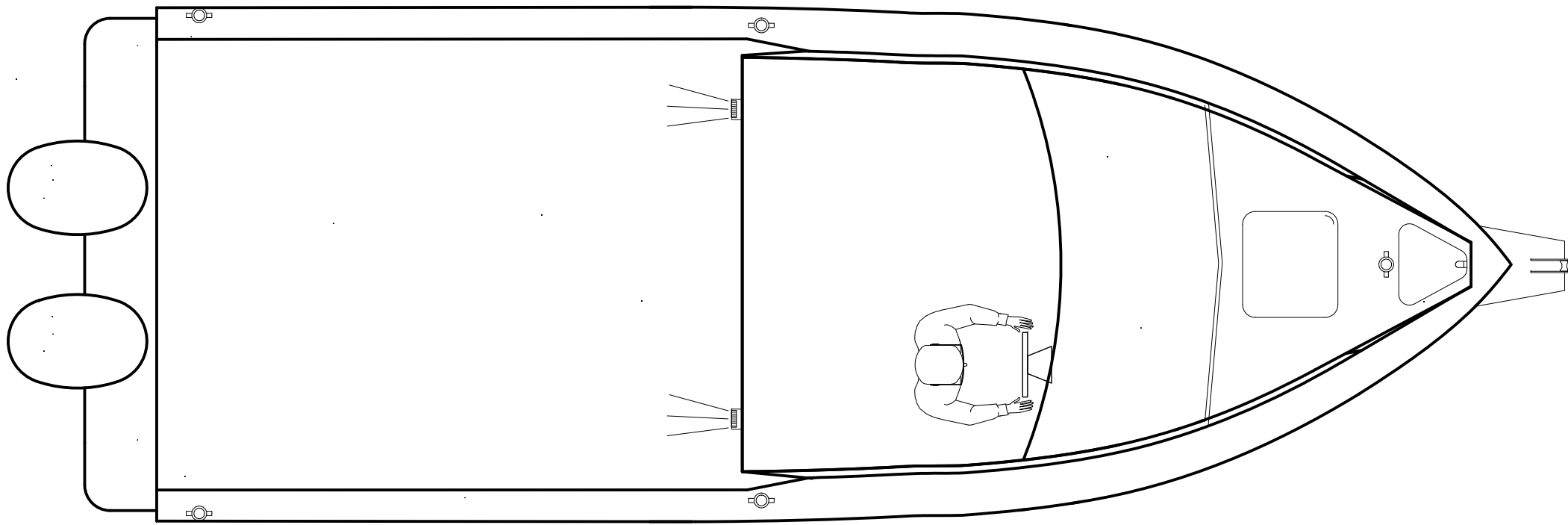
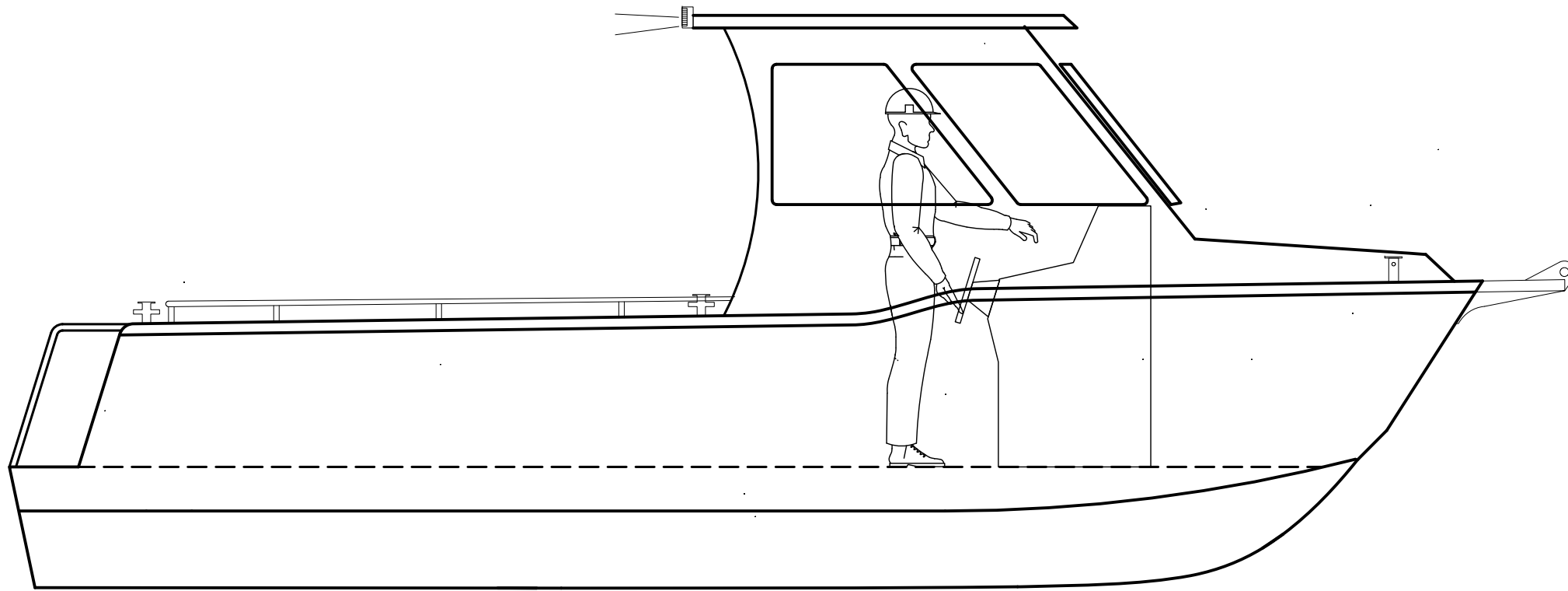


SEATAMER MARINE

42 Burleigh St Toronto NSW 2283
P1300998870 - sales@southerncrossboats.com.au

Legal Notice: This General Arrangement (GA) drawing, including but not limited to its overall concept, individual concepts & functionality of individual items, size and material specifications, general layout & configuration are the intellectual property and copyright of ORL Manufacturing Pty Ltd. They are provided on a confidential basis, for the sole purpose of confirmation of design and may not be sold, transferred, copied, traced, photographed or reproduced in whole or part without the express written consent of ORL Manufacturing Pty Ltd. The recipient noted on the GA agrees not to disclose to any other party any information contained herein, nor use this information for the construction of a vessel or vessel feature other than with ORL Manufacturing Pty Ltd.

Designed	Drawn	Controlled	SCALE	DRAWING FILE NO.	REV
Nigel/ORL	SC	Nigel/ORL	1:100	PTF1.074.026.2	0
20/01/22	20/01/22	20/01/22			



BOAT DIMENSIONS		
	STANDARD	OPTION
LENGTH	7.4M	
BEAM	2.7M	2.5M
DRAFT	0.52M	
WEIGHT	1300KG	
POWER	450HP x1	400HP (200HP x2)
SPEED	<30KNOT	>30KNOT
FUEL	400L (200L x2)	600L (300L x2)
TYPE	RECREATIONAL	COMMERCIAL 2C/3C

DATE	REVISIONS
VESSEL	7.4m - 2.7m
TITLE	GENERAL ARRANGEMENT
CLIENT	
BUILDER	ORL Manufacturing Pty Ltd
CLASS	AS 4132-2 1993



SEATAMER MARINE

42 Burleigh St Toronto NSW 2283
P1300998870 - sales@southerncrossboats.com.au

Legal Notice: This General Arrangement (GA) drawing, including but not limited to its overall concept, individual concepts & functionality of individual items, size and material specifications, general layout & configuration are the intellectual property and copyright of ORL Manufacturing Pty Ltd. They are provided on a confidential basis, for the sole purpose of confirmation of design and may not be sold, transferred, copied, traced, photographed or reproduced in whole or part without the express written consent of ORL Manufacturing Pty Ltd. The recipient notes on the GA agrees not to disclose to any other party any information contained herein, nor use this information for the construction of a vessel or vessel feature other than with ORL Manufacturing Pty Ltd.

Designed	Drawn	Controlled	SCALE	DRAWING FILE NO.	REV
Nigel/ORL	SC	Nigel/ORL	1:100	PTF1.074.026.3	0
20/01/22	20/01/22	20/01/22			